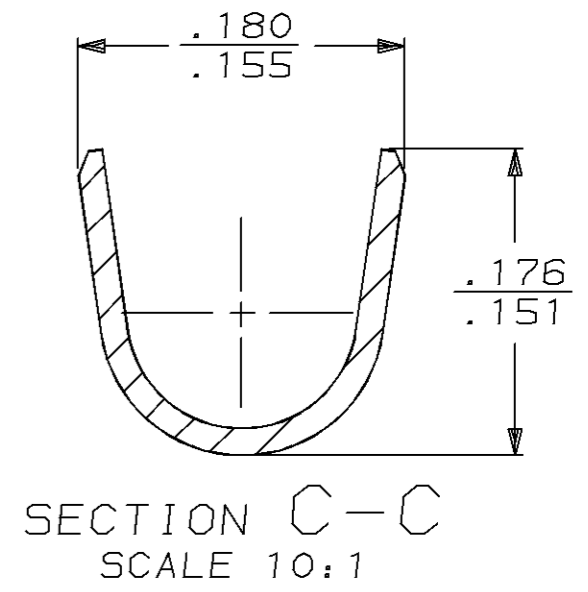
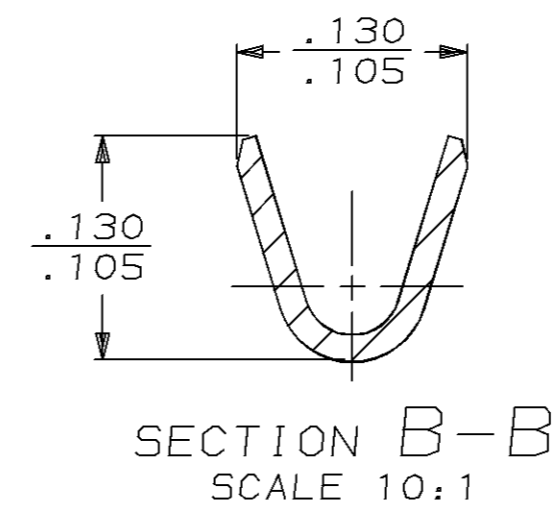
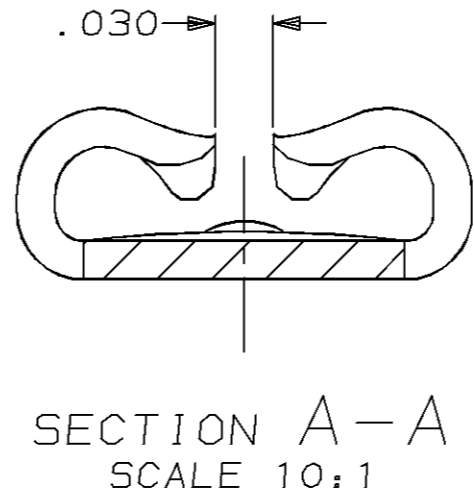
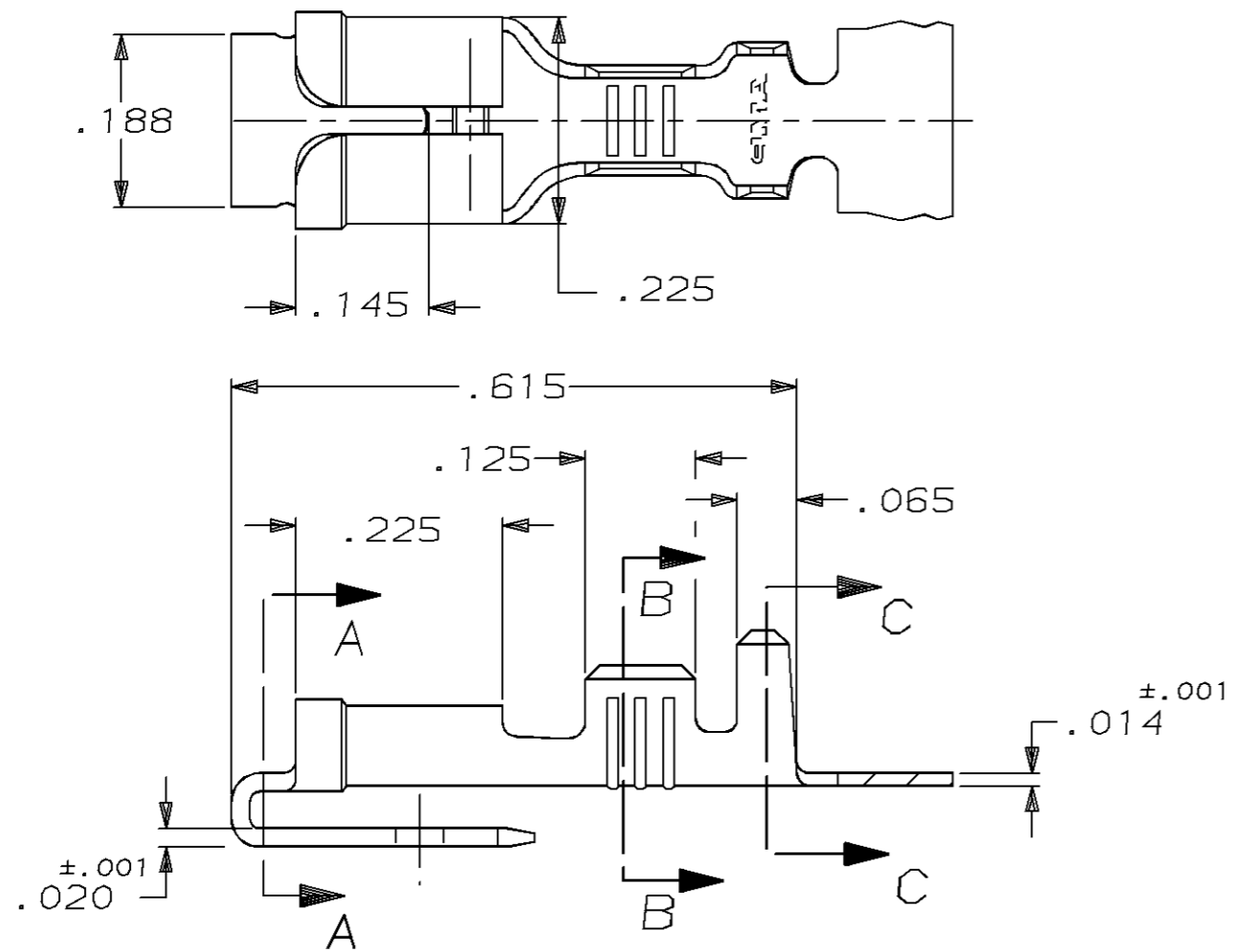


THIS DRAWING IS UNPUBLISHED. RELEASED FOR PUBLICATION, 19 .  
 © COPYRIGHT 19 BY AMP INCORPORATED. ALL INTERNATIONAL RIGHTS RESERVED.

LOC	DIST	P	F	ZONE	LTR	REVISIONS		
AF	50				B	DESCRIPTION	DATE	APPD
						ADDED -2 PER 0498-94	9/26/94	JR/PD

1 CONTINUOUS STRIP ON REELS.



TIN	.090-.130	20-16	.032	63646-2
-				63646-1
FINISH	INSULATION RANGE	WIRE SIZE	MATING TAB THK ±.001	PART NO
DO NOT SCALE PRINT. UNLESS SPECIFIED DIMENSIONS ARE IN INCHES. TOLERANCES ON: 2 PLC DEC ± - 3 PLC DEC ± .010 ANGLES ± -	DR 4/23/92 JR RUTH CHK 4/23/92 P FORTNEY APPD 4/23/92 C MEYERS APPD 4/23/92 D REINER PRODUCT SPEC -	<b>AMP</b> AMP Incorporated Harrisburg, PA 17105-3608 NAME RECEPTACLE & TAB, FASTON, PIGGYBACK, .187 SERIES		
MATERIAL #4H PREMILLED BRASS	APPLICATION SPEC -	SIZE B	CAGE CODE 00779	DRAWING NO 63646
FINISH SEE TABLE	WEIGHT -	SCALE 5:1	SHEET 1 OF 1	